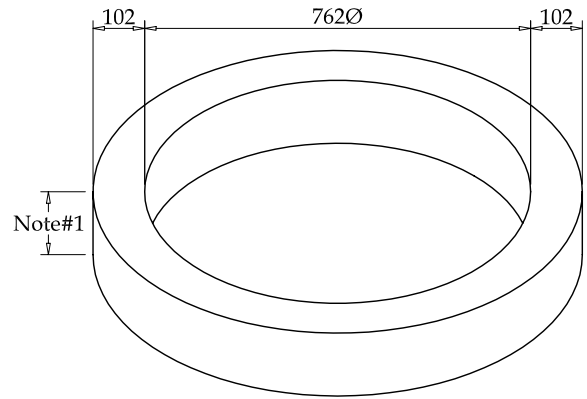
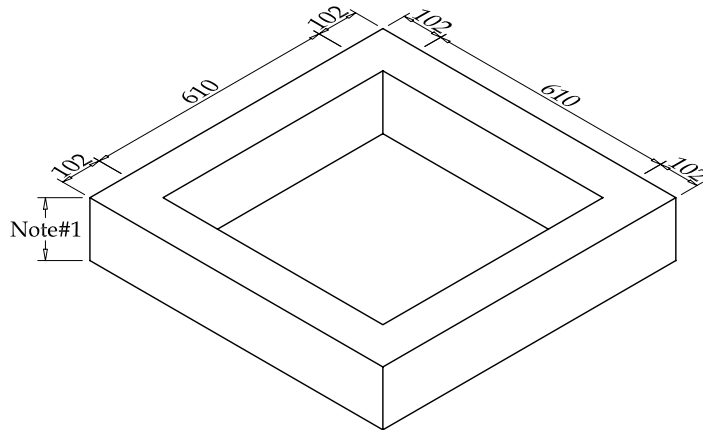


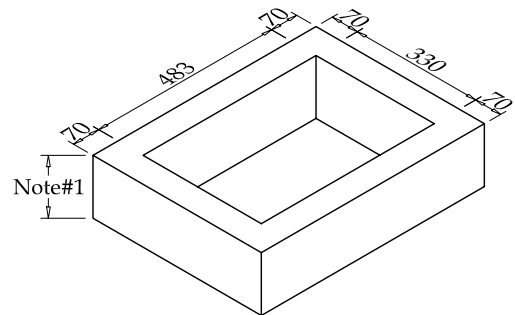
MAINTENANCE HOLE
ADJUSTER



VALVE CHAMBER
ADJUSTER



CATCH BASIN
ADJUSTER



REAR YARD CATCH BASIN
ADJUSTER

NOTES:

1 - Heights as follows:
50mm, 75mm, 100mm, & 150mm

ISSUE DATE	PRODUCT	DRAWING #
MARCH 2005	Concrete Adjusters	F-1