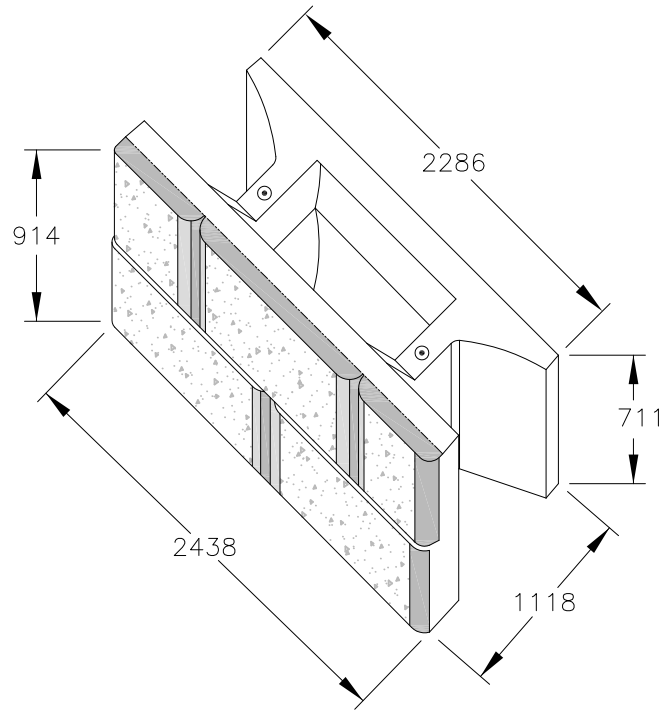


General Notes:

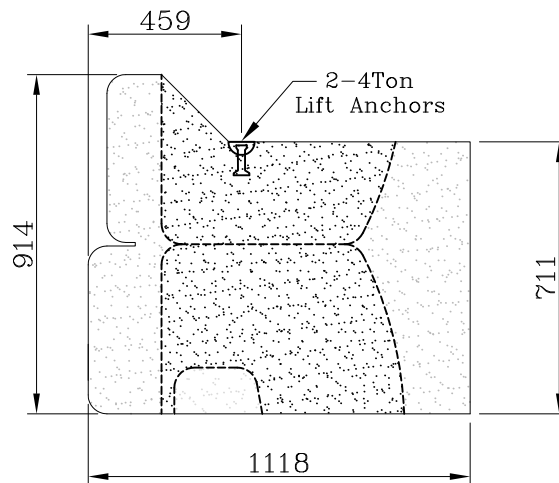
- All dimensions are in millimetres unless otherwise noted
- Concrete strength: 40MPa @ 28 days
- All tolerances shall be to CSA 23.4-09 Clause 12
- Air Content: 5-8%
- Class of Exposure: F2
- Rock In-Fill for Installation - 1.5 cu.yds

THIS DRAWING IS NOT TO BE SCALED

**MASS = 2449 kg
 24 SF**



STONE STRONG 24-44T- CHISELED GRANITE FACE



STONE STRONG 24-44T - SIDE VIEW

24-44T Top Block

12.2

24-44T

STONE STRONG

24-44T BLOCK - (2438L x 914H x 1118 Depth)