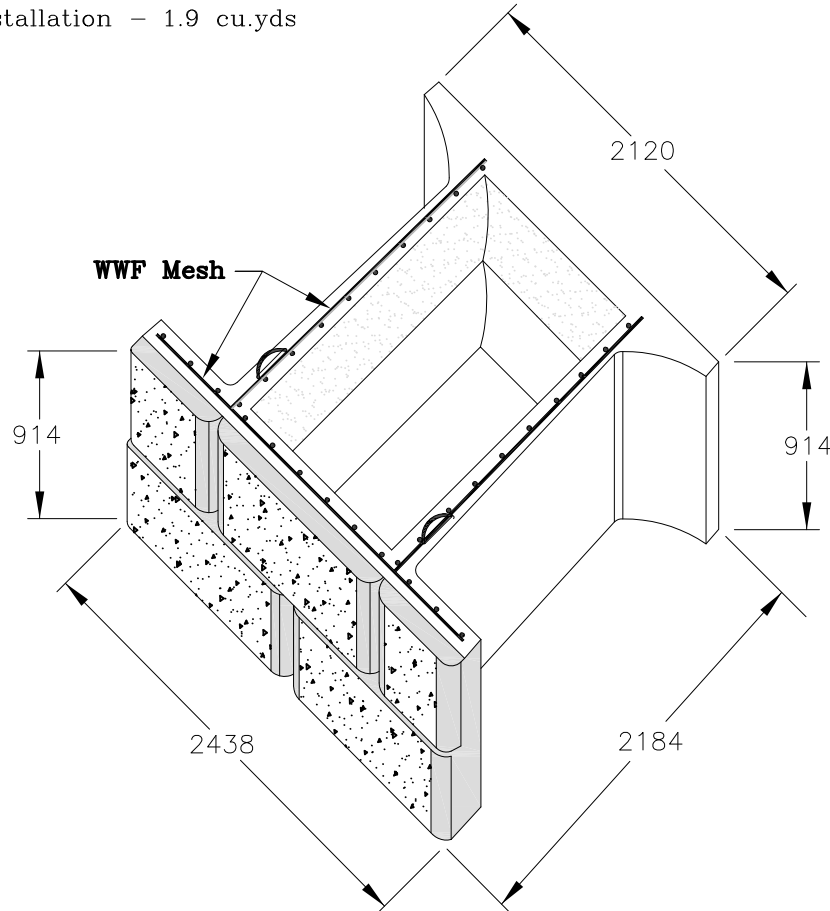


## General Notes:

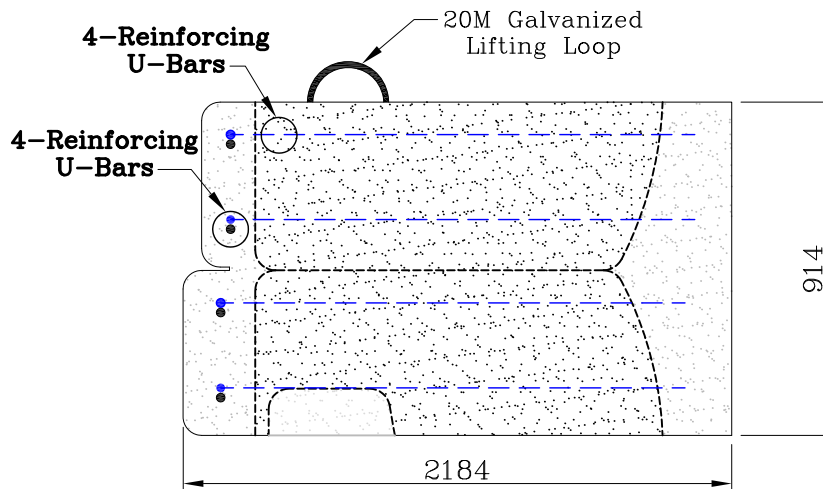
- All dimensions are in millimetres unless otherwise noted
- Concrete strength: 40MPa @ 28 days
- All tolerances shall be to CSA 23.4-09 Clause 12
- Air Content: 5-8%
- Class of Exposure: F2
- Rock In-Fill for Installation - 1.9 cu.yds

THIS DRAWING IS NOT TO BE SCALED

MASS = 3489 kg  
 24 SF



STONE STRONG 24-86 - CHISELED GRANITE FACE



STONE STRONG 24-86 - SIDE VIEW

24-86 Block

12.5

24-86

STONE STRONG

24-86 BLOCK - (2438L x 914H x 2184 Depth)