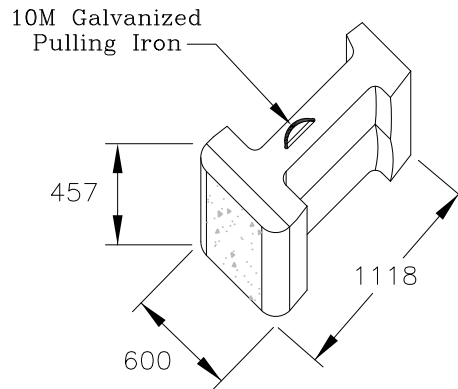


THIS DRAWING IS NOT TO BE SCALED

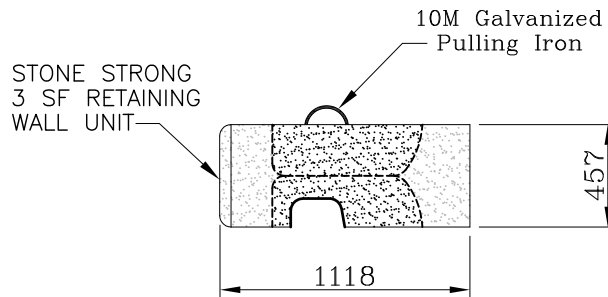
General Notes:

- All dimensions are in millimetres unless otherwise noted
- Concrete strength: 40MPa @ 28 days
- All tolerances shall be to CSA 23.4-09 Clause 12
- Air Content: 5-8%
- Class of Exposure: F2
- Rock In-Fill for Installation - 0.15 cu.yds

MASS = 364 kg
3 SF



STONE STRONG 3-44 - CHISELED GRANITE FACE



STONE STRONG 3-44 - SIDE VIEW

3-44 Block

12.8

3-44

STONE STRONG

3-44 BLOCK - (600L x 457H x 1118 Depth)