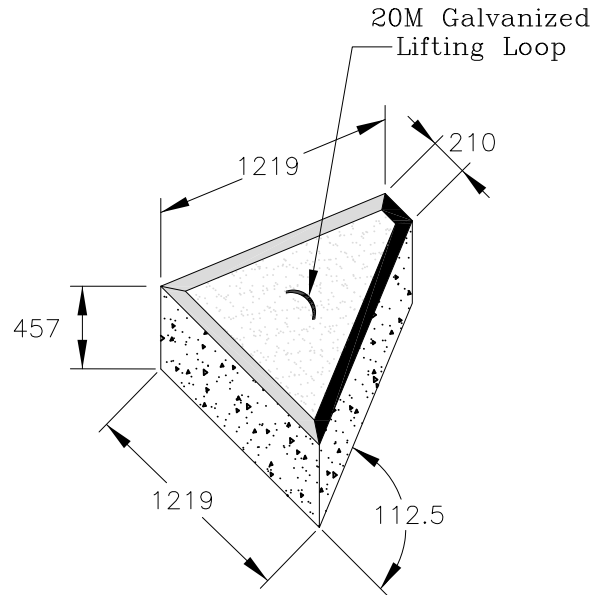


**THIS DRAWING IS NOT TO BE SCALED**

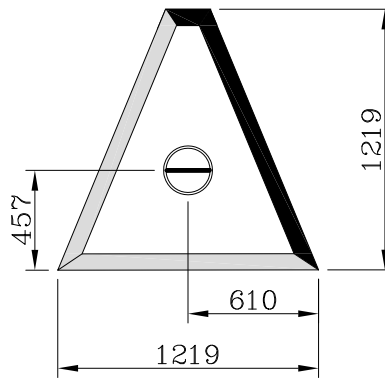
**General Notes:**

- All dimensions are in millimetres unless otherwise noted
- Concrete strength: 40MPa @ 28 days
- All tolerances shall be to CSA 23.4-09 Clause 12
- Air Content: 5-8%
- Class of Exposure: F2
- Rock In-Fill for Installation - 0.0 cu.yds

**MASS = 910 kg**



**STONE STRONG CORNER 45°  
 CHISELED GRANITE FACE**



**STONE STRONG CORNER 45° - PLAN VIEW**

**45° Block**

**12.16**

**Corner  
 45°**

**STONE STRONG**

**CORNER 45° BLOCK - (1219L x 457H x 1219 Depth)**