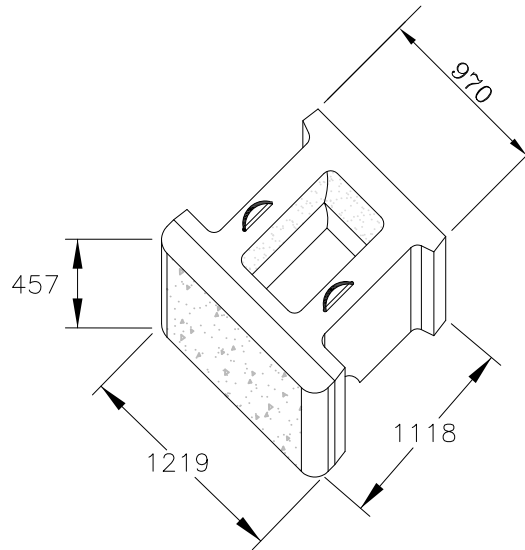


## General Notes:

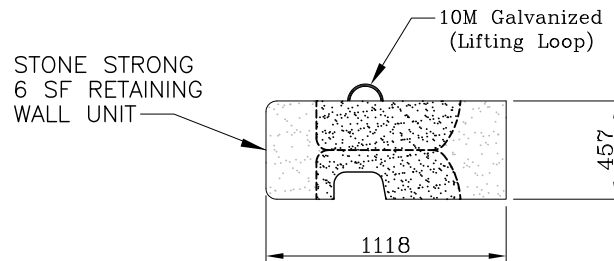
- All dimensions are in millimetres unless otherwise noted
- Concrete strength: 40MPa @ 28 days
- All tolerances shall be to CSA 23.4-09 Clause 12
- Air Content: 5-8%
- Class of Exposure: F2
- Rock In-Fill for Installation - 0.33 cu.yds

**THIS DRAWING IS NOT TO BE SCALED**

**MASS = 726 kg**  
**6 SF**



**STONE STRONG 6-44 - CHISELED GRANITE FACE**



**STONE STRONG 6-44 - SIDE VIEW**

**6-44 Block**

**12.6**

**6-44**

STONE STRONG

6-44 BLOCK - (1219L x 457H x 1118 Depth)