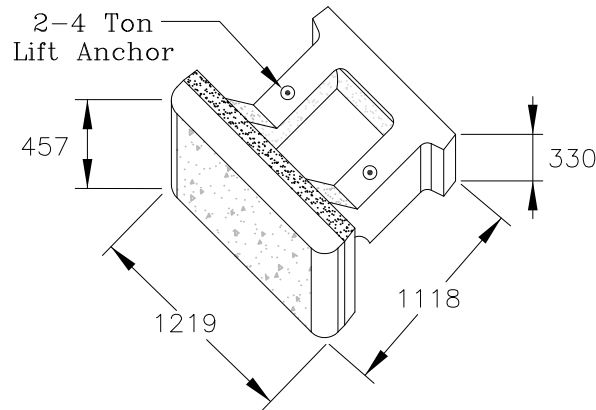


## General Notes:

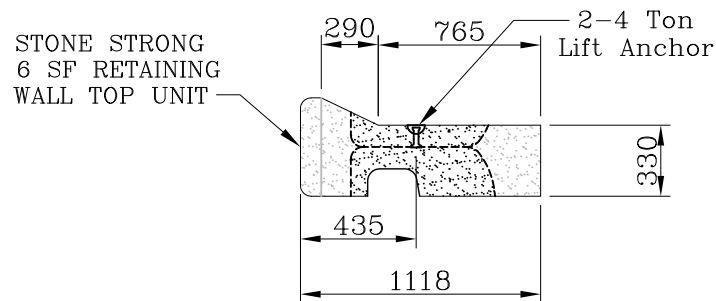
- All dimensions are in millimetres unless otherwise noted
- Concrete strength: 40MPa @ 28 days
- All tolerances shall be to CSA 23.4-09 Clause 12
- Air Content: 5-8%
- Class of Exposure: F2
- Rock In-Fill for Installation - 0.31 cu.yds

**THIS DRAWING IS NOT TO BE SCALED**

**MASS = 635 kg**  
**6 SF**



**STONE STRONG 6-44T - CHISELED GRANITE FACE**



**STONE STRONG 6-44T - SIDE VIEW**

**6-44T Top Block**

**12.7**

**6-44T**

STONE STRONG

24-44T Top BLOCK - (1219L x 457H x 1118 Depth)