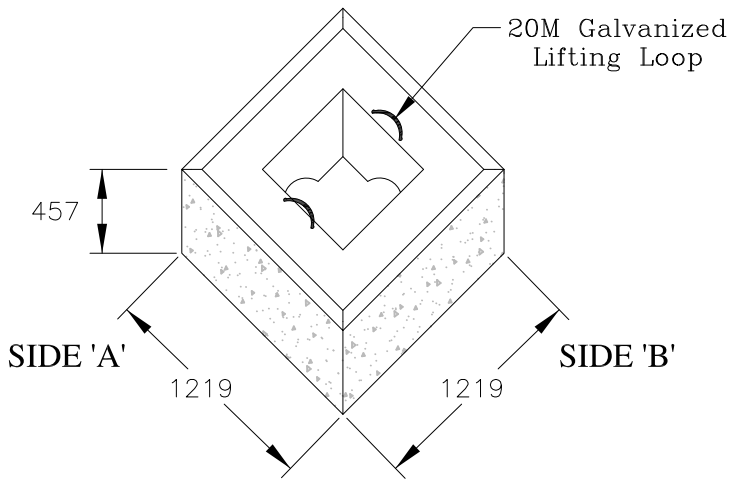


THIS DRAWING IS NOT TO BE SCALED

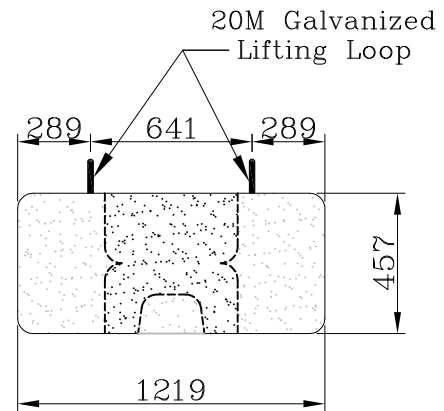
General Notes:

- All dimensions are in millimetres unless otherwise noted
- Concrete strength: 40MPa @ 28 days
- All tolerances shall be to CSA 23.4-09 Clause 12
- Air Content: 5-8%
- Class of Exposure: F2
- Rock In-Fill for Installation - 0.2 cu.yds

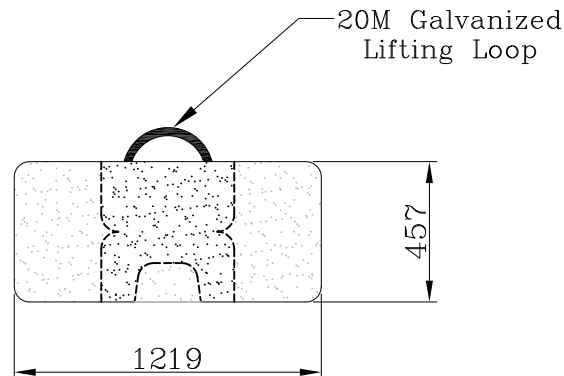
MASS = 1180 kg



STONE STRONG 90° BLOCK
 CHISELED GRANITE FACE



STONE STRONG 90° BLOCK - SIDE 'B' VIEW



STONE STRONG 90° BLOCK - SIDE 'A' VIEW

90° Block

12.11

STONE STRONG

90° BLOCK - (1219L x 457H x 1219 Thickness)

90°
 Block