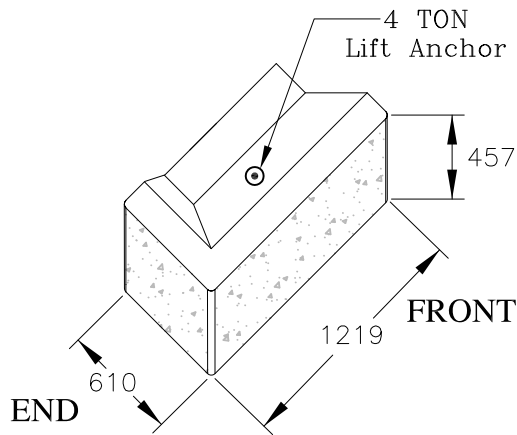


THIS DRAWING IS NOT TO BE SCALED

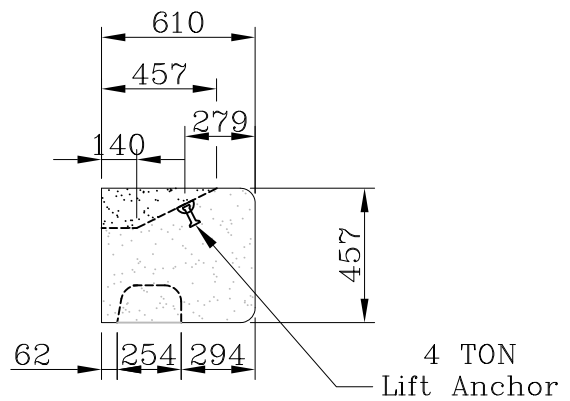
General Notes:

- All dimensions are in millimetres unless otherwise noted
- Concrete strength: 40MPa @ 28 days
- All tolerances shall be to CSA 23.4-09 Clause 12
- Air Content: 5-8%
- Class of Exposure: F2
- Rock In-Fill for Installation - 0.0 cu.yds

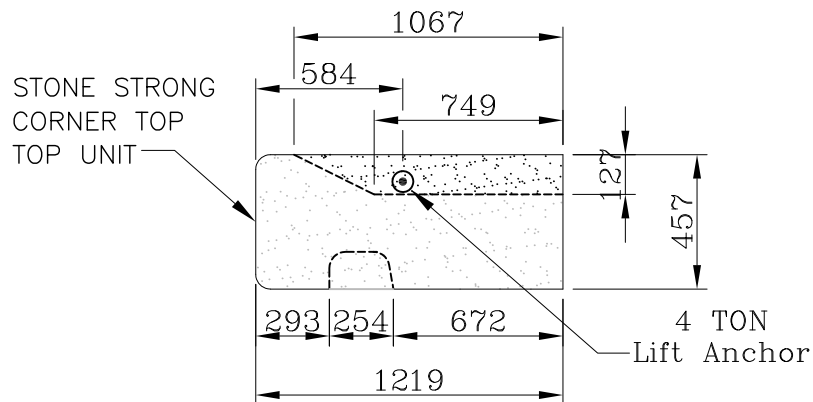
MASS = 640 kg



**STONE STRONG CORNER END
CHISELED GRANITE FACE**



STONE STRONG CORNER END - END VIEW



STONE STRONG CORNER END - FRONT VIEW

Corner Top Block

12.12

**Corner
Top**

STONE STRONG

CORNER TOP BLOCK - (1219L x 457H x 610 Depth)