

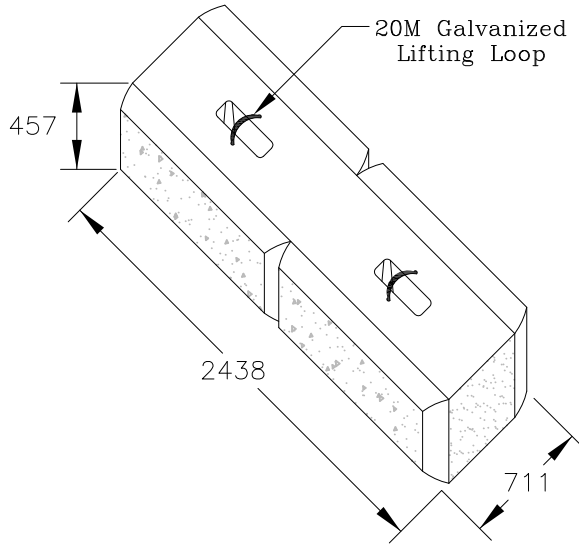
THIS DRAWING IS NOT TO BE SCALED

General Notes:

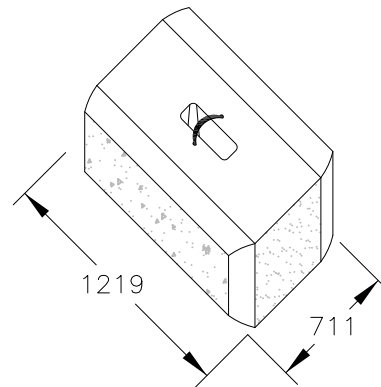
- All dimensions are in millimetres unless otherwise noted
- Concrete strength: 40MPa @ 28 days
- All tolerances shall be to CSA 23.4-09 Clause 12
- Air Content: 5-8%
- Class of Exposure: F2
- Rock In-Fill for Installation - 0.0 cu.yds

MASS (2438mm) = 1600 kg

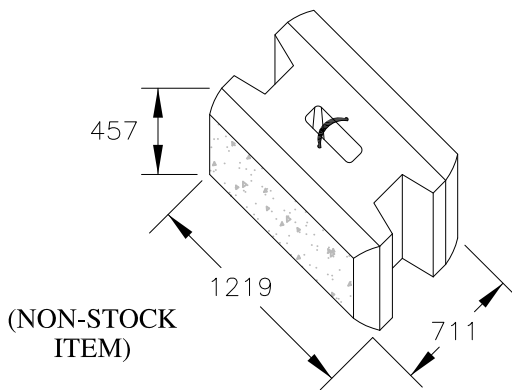
MASS (1219mm) = 800 kg



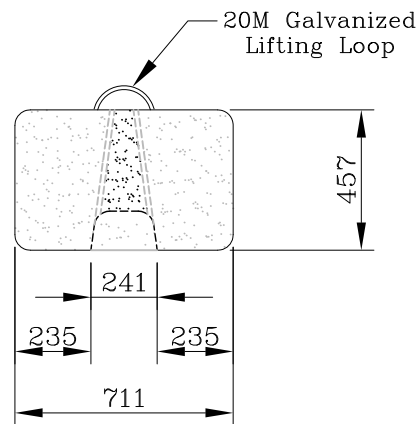
DUAL END 8F - CHISELED GRANITE FACE



DUAL FACE - END
CHISELED GRANITE FACE



ALTERNATE DUAL FACE 4F (1219mm)
CHISELED GRANITE FACE



DUAL END - SIDE VIEW