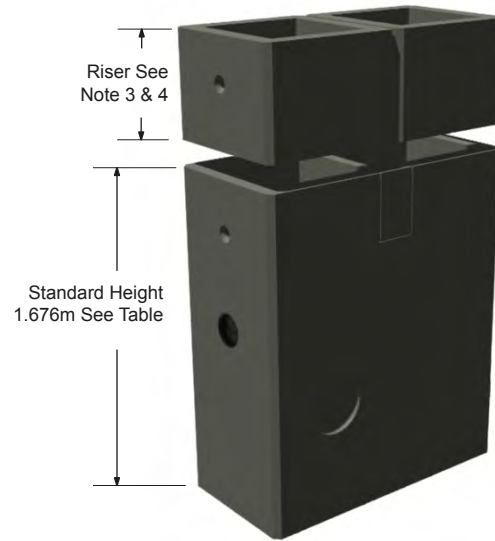
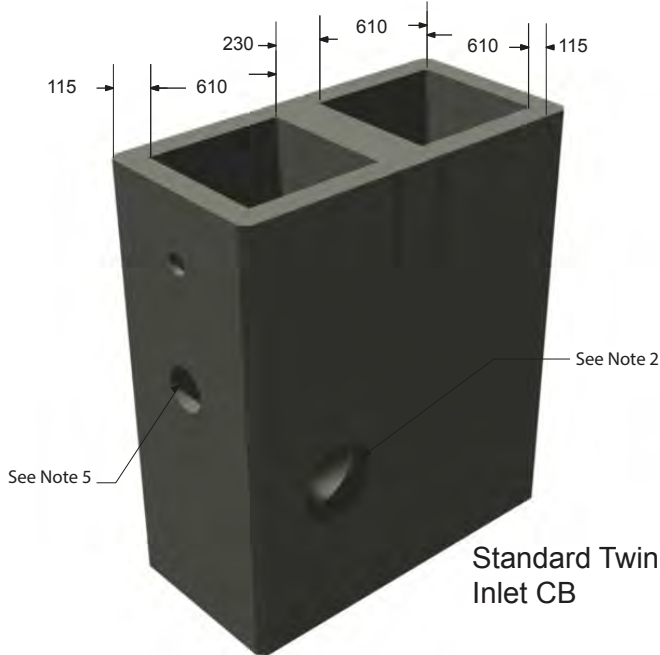


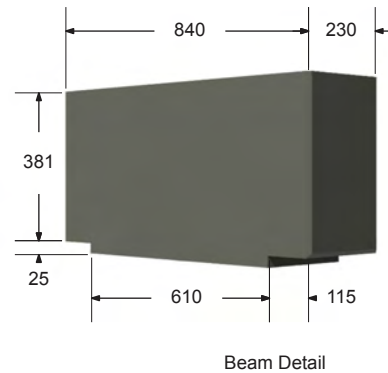
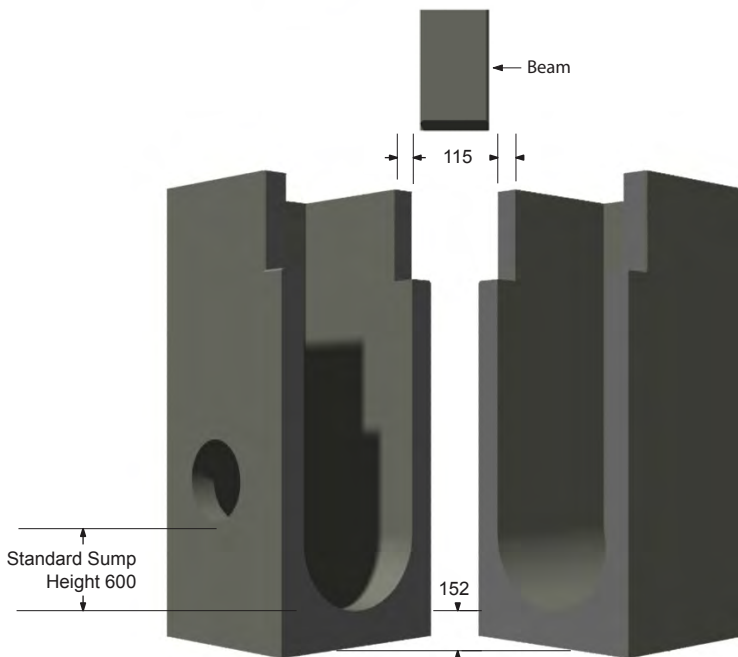


M CON Products Inc.
 2150 Richardson Side Road
 Carp, ON K0A 1L0
 Tel: 1-800-267-5515
 Email: SalesCarp@mconproducts.com

M CON Pipe & Products Inc.
 2691 Greenfield Road
 Ayr, ON N0B 1E0
 Tel: 1-866-537-3338
 Email: SalesAyr@mconproducts.com



Alternate Standard Heights (mm)	
A	1219
B	1372
C	1524
D	1829
E	1981



600x1450 Twin Inlet Catch Basin

Notes

1. Manufactured in accordance with OPSD 705.020.
2. Standard opening size - 400mm diameter.
3. Vertical height may be increased by using two single catch basin riser sections. See page 81 for available riser sections
4. Riser sections available - 305, 457, 610, 914, and 1219mm
5. Subdrain connection insert for 100, 125, and 150mm diameter standard on all stock twin inlet catch basins.
6. GOSS traps available upon request.

