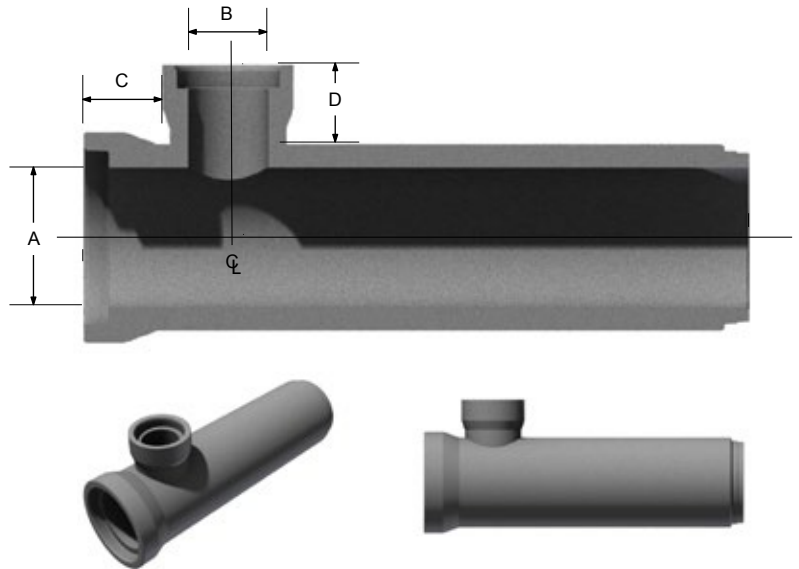
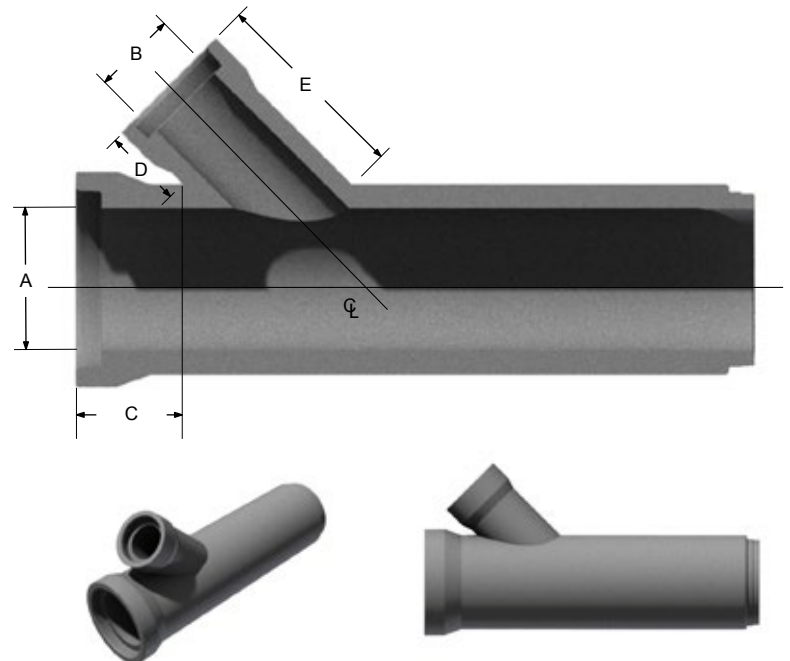


Main Pipe ID A	Branch Pipe ID B	C	D
300 To 3000	300	300	300
375 To 3000	375	300	300
450 To 3000	450	350	300
525 To 3000	525	350	350
600 To 3000	600	350	350
675 To 3000	675	350	350
750 To 3000	750	350	350
825 To 3000	825	350	350
900 To 3000	900	350	350
975 To 3000	975	350	350
1050 To 3000	1050	350	350
1200 To 3000	1200	350	350
1350 To 3000	1350	300	350
1500 To 3000	1500	305	350



### Pipe Wye

Main Pipe ID A	Branch Pipe ID B	C	D	E
300 To 3000	300	400	300	745
375 To 3000	375	400	300	833
450 To 3000	450	400	300	923
525 To 3000	525	400	350	1061
600 To 3000	600	400	350	1150
675 To 3000	675	400	350	1240
750 To 3000	750	400	350	1328
825 To 3000	825	400	350	1416
900 To 3000	900	400	350	1506



## Tee and Wye Dimensions

#### Notes

1. All wyes and tees are manufactured in accordance with CSA-A257.2.
2. Special design tees and wyes are available upon request.
3. All tee and wye combinations listed above are based on using a full length main pipe.  
50-D, 65-D, 100-D and 140-D.
4. All dimensions are in millimeters unless otherwise shown.

