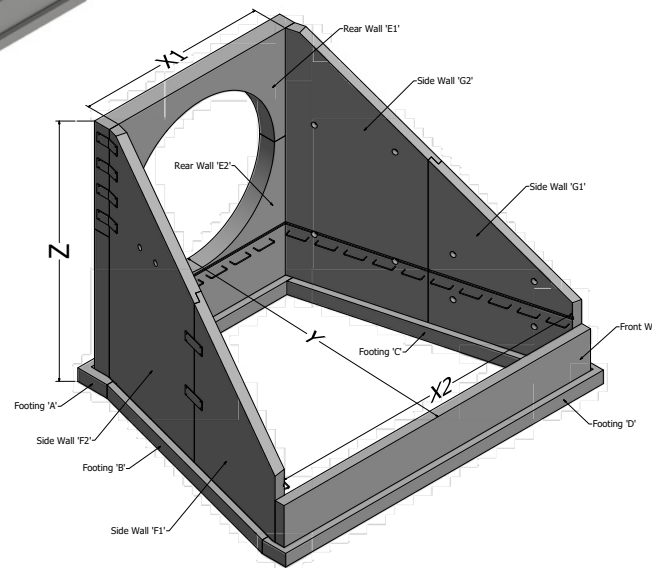
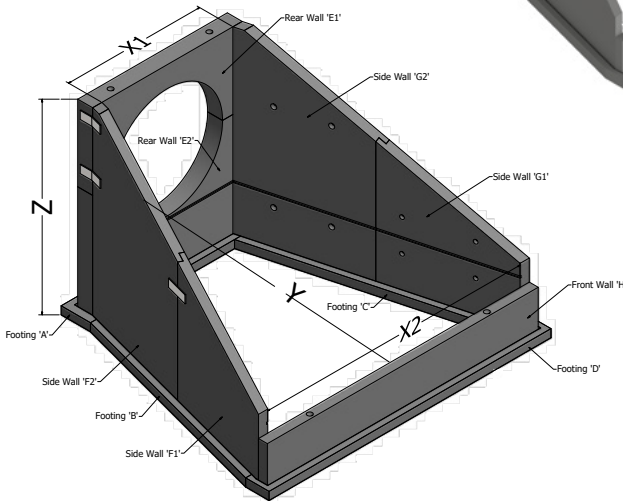


Rectangular Opening Alternative	
Width	600-3700
Height	600-3700



Pipe Size	Hole Diameter	Inside Width (Back)	Inside Width (Front)	Depth	Height (including footings)	Mass of Footings (by piece)			Mass of Back Wall (by piece)		Mass of Wing Walls (by piece)		Mass of Front Wall	Total Mass
Nom		X1	X2	Y	Z	A	B, C	D	E1	E2	F1, G1	F2, G2	H	KG
1950	2460	3353	6458	6404	4753	2373	2240	2835	5459	6757	3865	6647	3749	46677
2100	2640	3353	6458	6404	4753	2373	2240	2835	4790	6741	3865	6647	3749	45992
2250	2820	3353	6458	6404	4753	2373	2240	2835	4096	6702	3865	6647	3749	45259
2400	2990	4267	7372	6404	5743	2530	2305	3213	8999	9028	4333	7909	4244	57108
2550	3170	4267	7372	6404	5743	2530	2305	3213	8223	9020	4333	7909	4244	56324
2700	3360	4267	7372	6404	5743	2530	2305	3213	7332	8985	4333	7909	4244	55398
3000	3710	4267	7372	6404	5743	2530	2305	3213	5632	8868	4333	7909	4244	53581

## Segmental Headwalls for 1950 to 3000mm Pipe

### Notes

1. Floor and chute blocks are to be cast-in-place (by others).
2. Precast alternative to OPSD 804.040.
3. Designed in accordance with CSA S6-14 (CHBDC).
4. Headwall grates are available upon request.
5. All dimensions are in millimeters unless otherwise shown.

