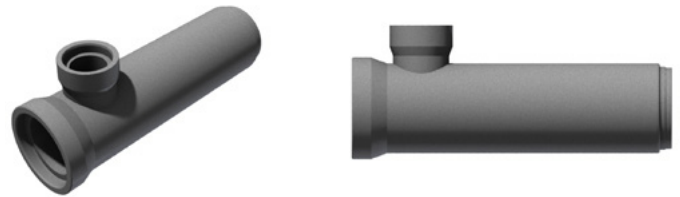
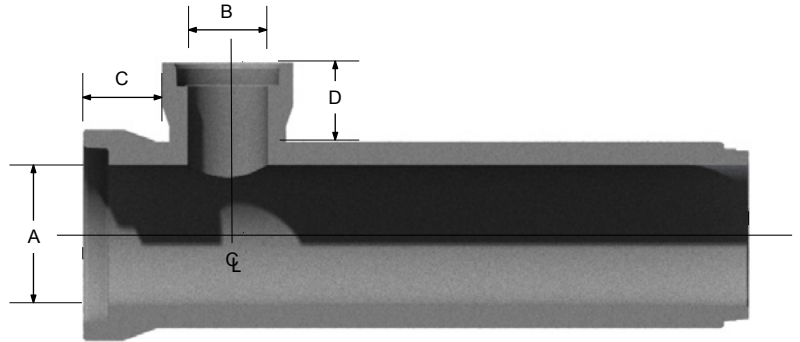




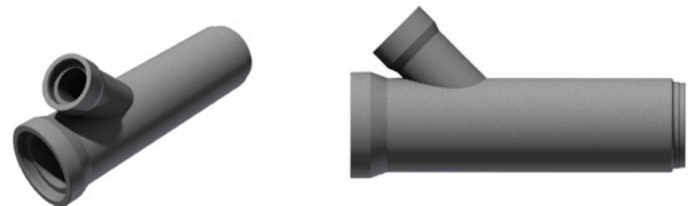
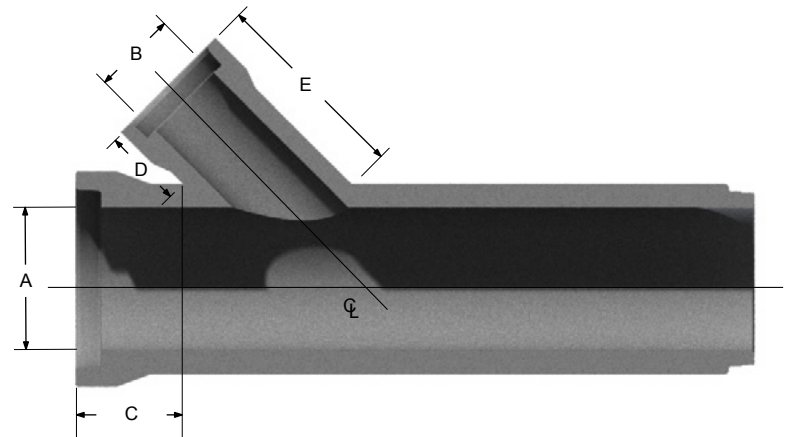
Pipe Tee

| Main Pipe ID A | Branch Pipe ID B | C | D |
|-------------------|---------------------|-----|-----|
| 300 To 3600 | 300 | 300 | 300 |
| 375 To 3600 | 375 | 300 | 300 |
| 450 To 3600 | 450 | 350 | 300 |
| 525 To 3600 | 525 | 350 | 350 |
| 600 To 3600 | 600 | 350 | 350 |
| 675 To 3600 | 675 | 350 | 350 |
| 750 To 3600 | 750 | 350 | 350 |
| 825 To 3600 | 825 | 350 | 350 |
| 900 To 3600 | 900 | 350 | 350 |
| 975 To 3600 | 975 | 350 | 350 |
| 1050 To 3600 | 1050 | 350 | 350 |
| 1200 To 3600 | 1200 | 350 | 350 |
| 1350 To 3600 | 1350 | 300 | 350 |
| 1500 To 3600 | 1500 | 305 | 350 |



Pipe Wye

| Main Pipe ID A | Branch Pipe ID B | C | D | E |
|-------------------|---------------------|-----|-----|------|
| 300 To 3600 | 300 | 400 | 300 | 745 |
| 375 To 3600 | 375 | 400 | 300 | 833 |
| 450 To 3600 | 450 | 400 | 300 | 923 |
| 525 To 3600 | 525 | 400 | 350 | 1061 |
| 600 To 3600 | 600 | 400 | 350 | 1150 |
| 675 To 3600 | 675 | 400 | 350 | 1240 |
| 750 To 3600 | 750 | 400 | 350 | 1328 |
| 825 To 3600 | 825 | 400 | 350 | 1416 |
| 900 To 3600 | 900 | 400 | 350 | 1506 |



Tee and Wye
Dimensions

Notes

1. All wyes and tees are manufactured in accordance with CSA-A257.2.
2. Special design tees and wyes are available upon request.
3. All tee and wye combinations listed above are based on using a full length main pipe.
50-D, 65-D, 100-D and 140-D.
4. All dimensions are in millimeters unless otherwise shown.

