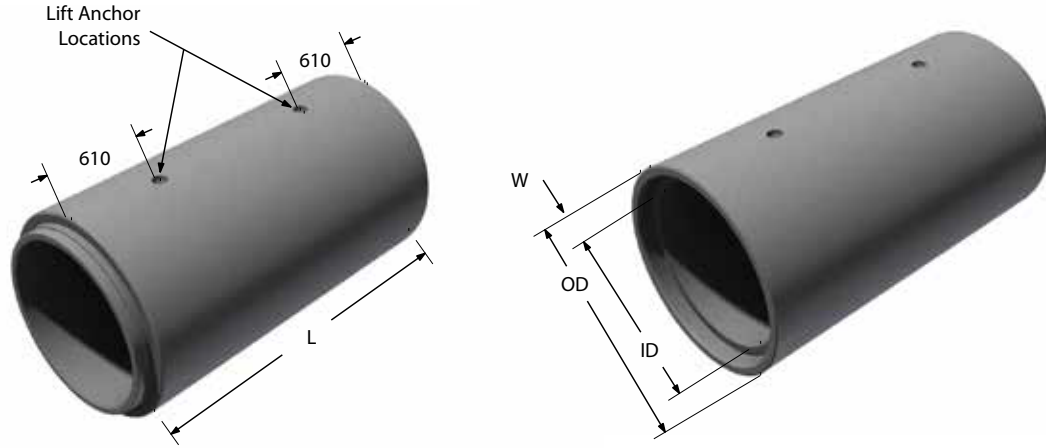




M CON Products
 2150 Richardson Side Road
 Ottawa, ON, K0A 1L0, Canada
 tf. + 1 800 267 5515
 e. sales@mconproducts.com



Designated Internal Diameter (Nominal)	Actual Diameter (ID)	Outside Diameter (OD)	Wall Thickness (W)	Lay Length (W)	Waterway Area	Approximate Mass	Lift Anchor Size	Truckload Lots
mm	mm	mm	mm	m	m ²	kg/pc	ton	pcs
825	838	1067	114	2.29	0.55	1874	4	18
900	914	1156	121	2.29	0.66	2253	4	17
975	991	1245	127	2.29	0.77	2567	4	12
1050	1067	1334	133	2.29	0.89	2919	4	11
1200	1220	1511	146	2.29	1.17	3661	4	9
1350	1372	1689	159	2.29	1.48	4429	4	8
1500	1524	1867	171	2.44	1.82	5734	4	6
1650	1676	2045	184	2.44	2.21	6719	4	5
1800	1829	2223	197	2.44	2.63	7846	8	4
1950	1981	2362	190	2.44	3.08	8390	8	4
2100	2134	2540	203	2.44	3.58	9562	8	4
2250	2286	2717	215	2.44	4.10	10726	8	3
2400	2438	2896	229	2.44	4.67	12214	8	2
2550	2591	3073	241	2.44	5.27	13776	8	2
2700	2743	3251	254	2.44	5.91	15139	8	2
3000	3048	3606	279	2.44	7.30	18786	20	1
3600	3656	4356	349	2.44	10.51	26340	20	1

Mass and Dimension 825-3600mm Pipe

Notes

1. Manufactured in accordance with CSA-A257.2.
2. All standard reinforced concrete pipe classes available: 50-D, 65-D, 100-D and 140-D.
3. Contact our engineering department for special design concrete pipe applications.
4. All pipe joints come complete with pre-lubricated rubber gaskets.

