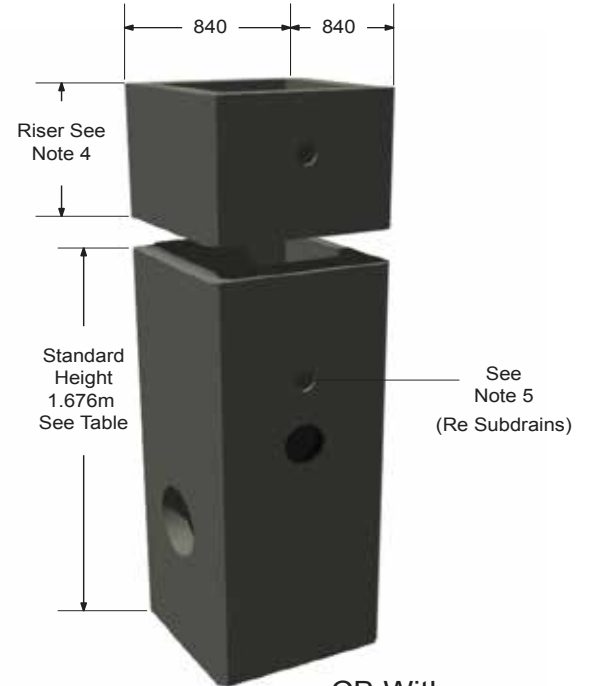
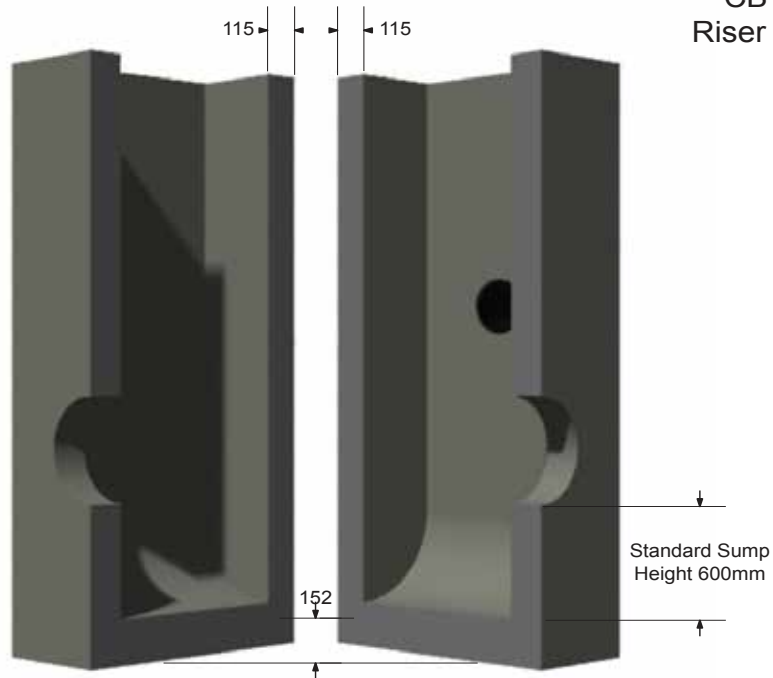


Standard CB



CB With Riser Section

Alternate Standard Heights (mm)	
A	1219
B	1372
C	1524
D	1676
E	1829
F	1981
G	2134



## 600 x 600mm Single Inlet Catch Basin

### Notes

1. Manufactured in accordance with OPSD 705.010.
2. 150mm wall available upon request.
3. Standard opening size - 350mm diameter.
4. Riser sections available - 305, 457, 610, 914, and 1219mm
5. Subdrain connection insert for 100, 125, and 150mm diameter standard on all stock catch basins.
6. GOSS traps available upon request.
7. Flow restrictor plates available; IPEX/Plastech ICD.

