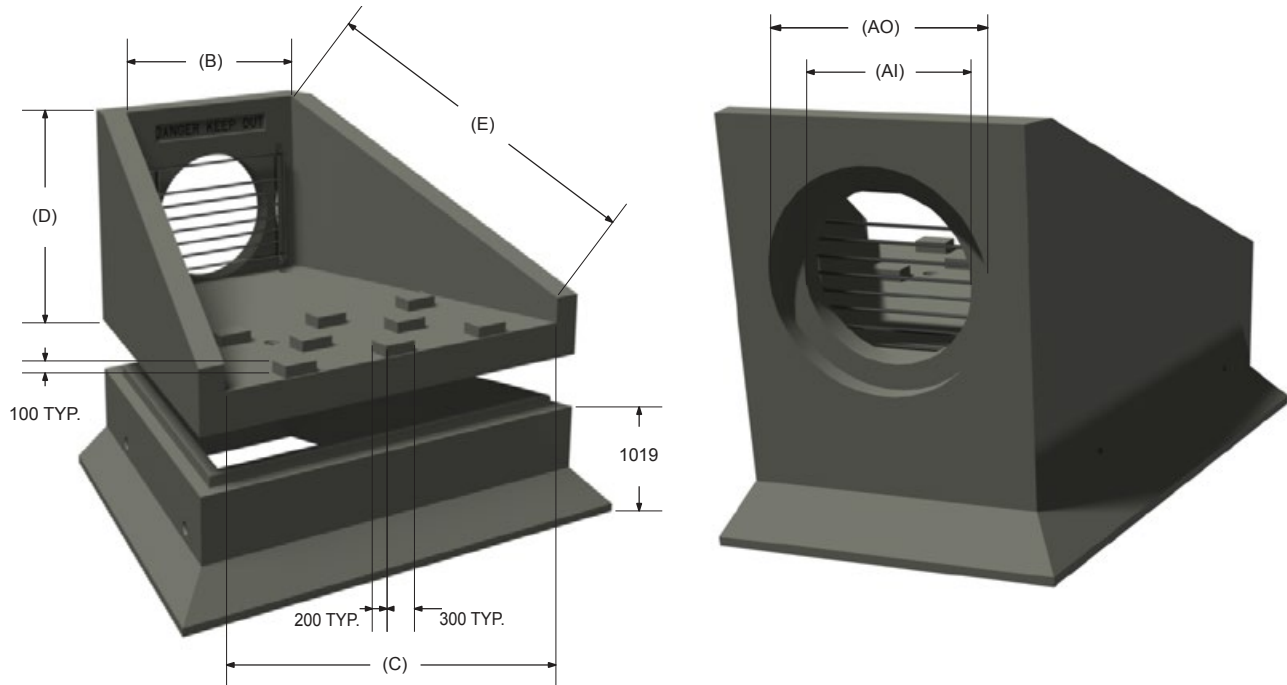




2150 Richardson Side Road,  
Ottawa, ON K0A 1L0, Canada  
+1 800 267 5515  
sales@mconproducts.com

mconproducts.com



| Pipe Size | Opening Front<br>(Pipe I.D.) | Opening Back | Back Wall<br>(Inside) | Width of<br>Open End | PS-2 Height | PS-2 Length | Mass (Top) | Mass<br>(Bottom) |
|-----------|------------------------------|--------------|-----------------------|----------------------|-------------|-------------|------------|------------------|
| Nom       | AI                           | Ao           | B                     | C                    | D           | E           | kg         | kg               |
| 600       | 610                          | 880          | 1219                  | 2532                 | 1623        | 2750        | 7,733      | 7,434            |
| 675       | 686                          | 960          | 1219                  | 2532                 | 1623        | 2750        | 7,654      | 7,434            |
| 750       | 762                          | 1050         | 1219                  | 2532                 | 1623        | 2750        | 7,554      | 7,434            |
| 825       | 838                          | 1140         | 1219                  | 2532                 | 1623        | 2750        | 7,452      | 7,434            |
| 900       | 914                          | 1230         | 1829                  | 3463                 | 2039        | 3350        | 12,652     | 9,627            |
| 975       | 991                          | 1320         | 1829                  | 3463                 | 2039        | 3350        | 12,526     | 9,627            |
| 1050      | 1067                         | 1410         | 1829                  | 3463                 | 2039        | 3350        | 12,394     | 9,627            |
| 1200      | 1219                         | 1590         | 1829                  | 3463                 | 2039        | 3350        | 12,103     | 9,627            |
| 1350      | 1372                         | 1760         | 2438                  | 4072                 | 2709        | 3350        | 17,106     | 10,639           |
| 1500      | 1524                         | 1940         | 2438                  | 4072                 | 2709        | 3350        | 16,724     | 10,639           |
| 1650      | 1676                         | 2120         | 2438                  | 4072                 | 2709        | 3350        | 16,308     | 10,639           |
| 1800      | 1829                         | 2320         | 2438                  | 4072                 | 2709        | 3350        | 15,832     | 10,639           |

## Headwall 600 to 1800mm Pipe

### Notes

1. Precast alternative to OPSD 804.040.
2. Designed in accordance with CSA S6 - CHBDC.
3. Headwall grates as shown are available upon request.
4. All dimensions are in millimeters unless otherwise shown.
5. Alternate openings are available upon request.

