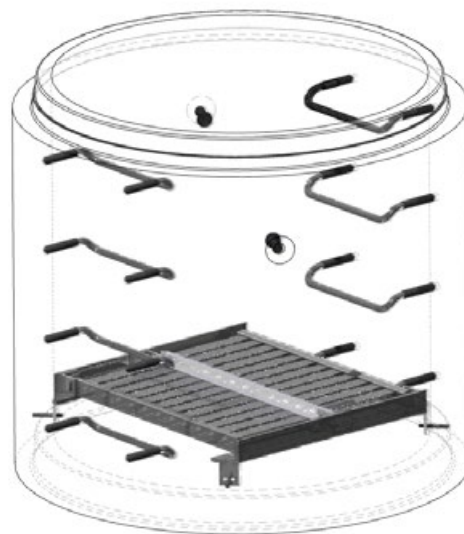


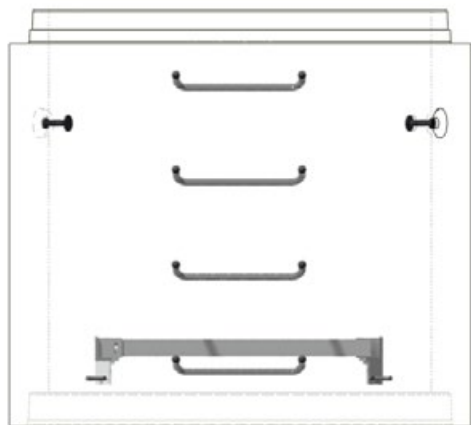


2150 Richardson Side Road,
Ottawa, ON K0A 1L0, Canada
+1 800 267 5515
sales@mconproducts.com

mconproducts.com



ALUMINUM SAFETY PLATFORM



20MM HOLLOW ALUMINUM



20MM SOLID ALUMINUM

Maintenance Hole Aluminum Safety Platform and Steps

Notes

1. Safety platforms designed in accordance with OPSD 404.020.
2. Steps designed as per OPSD 405.010 - Hollow - Standard. Steps as per OPSD 405.020 - Solid - available when specified.
3. All dimensions are in millimeters unless otherwise shown.

